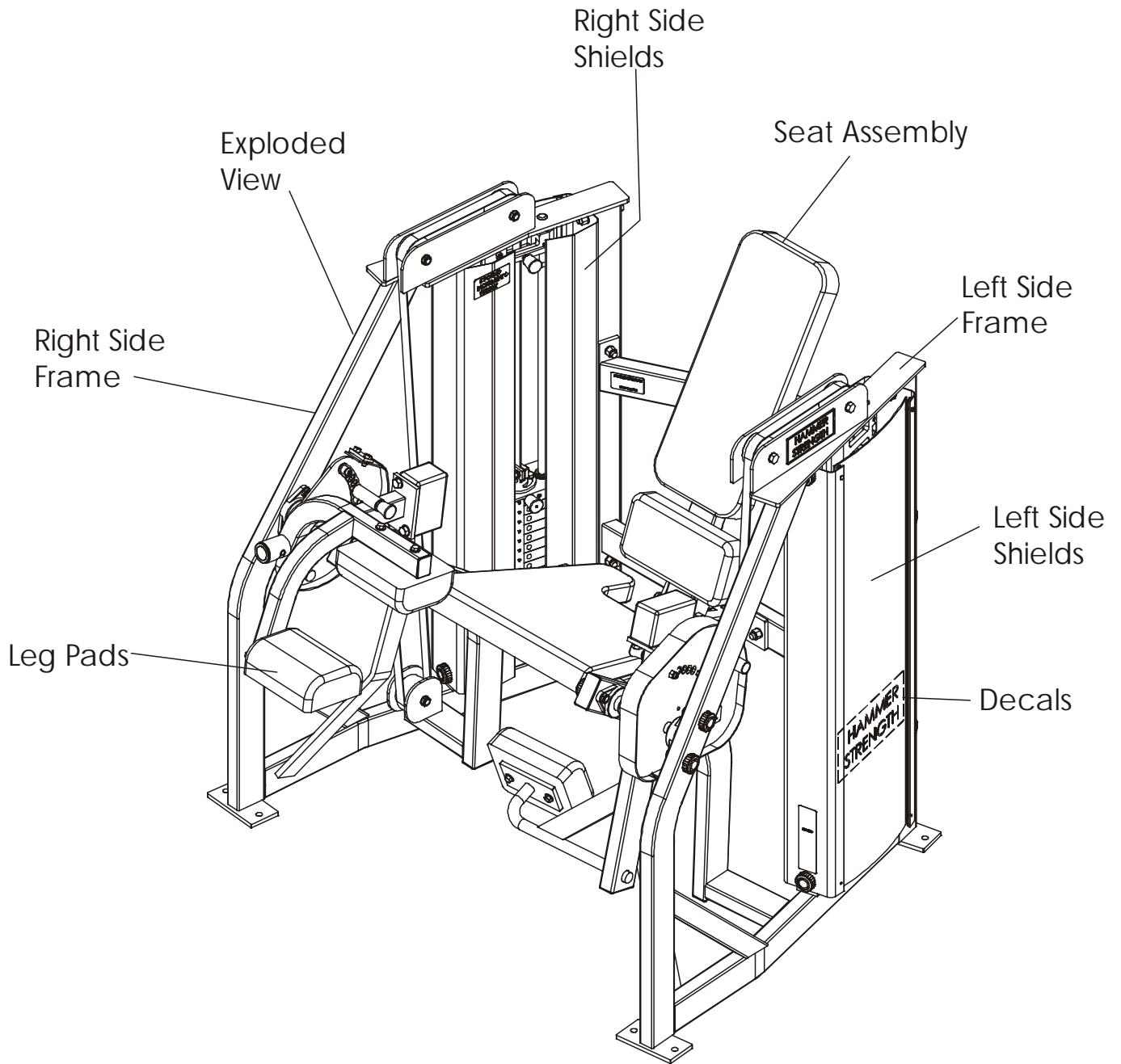


# HAMMER STRENGTH EQUIPMENT

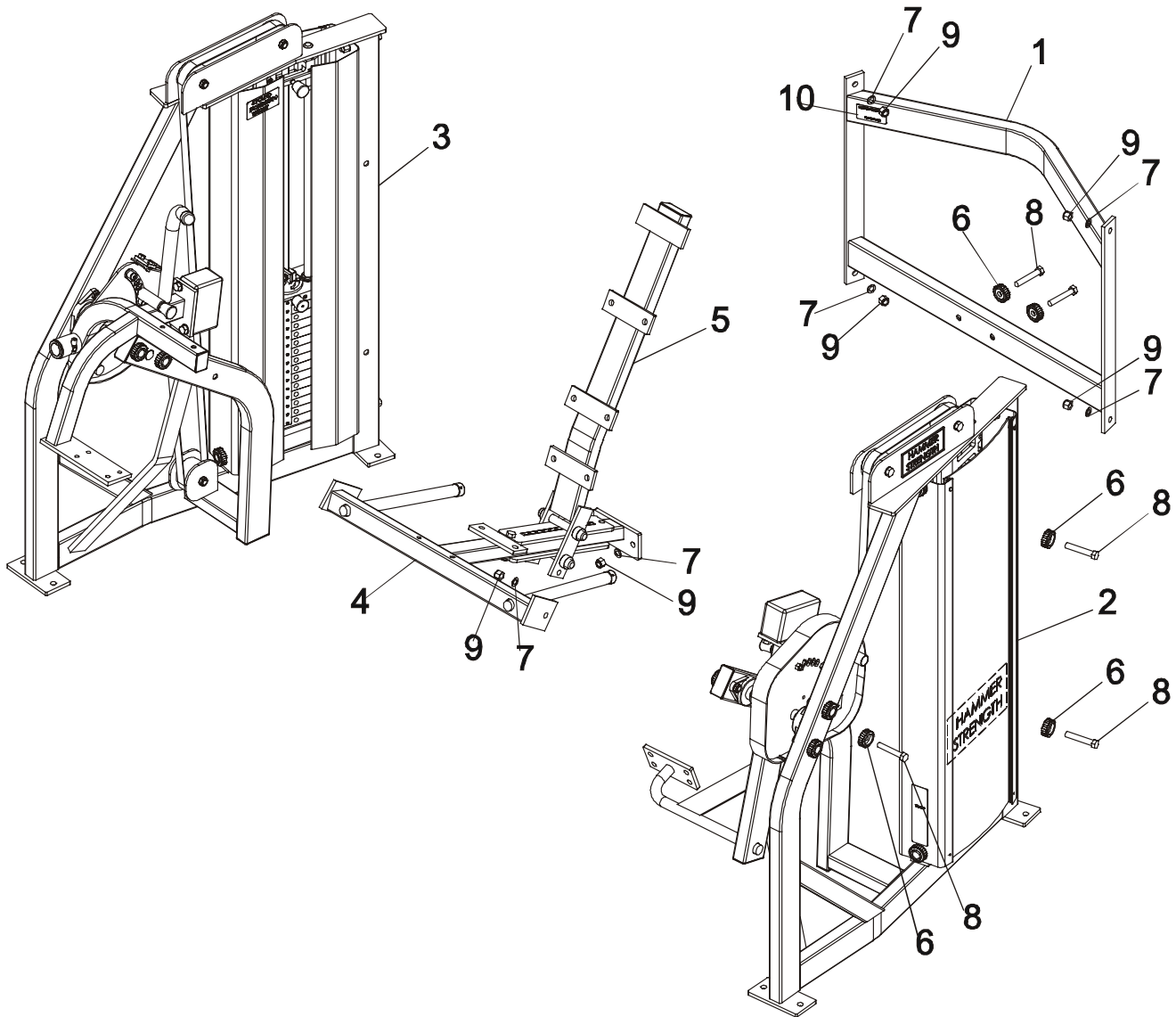
## MTRL - Motion Technology Reciprocating Left – Unit Assembly

---



# HAMMER STRENGTH EQUIPMENT

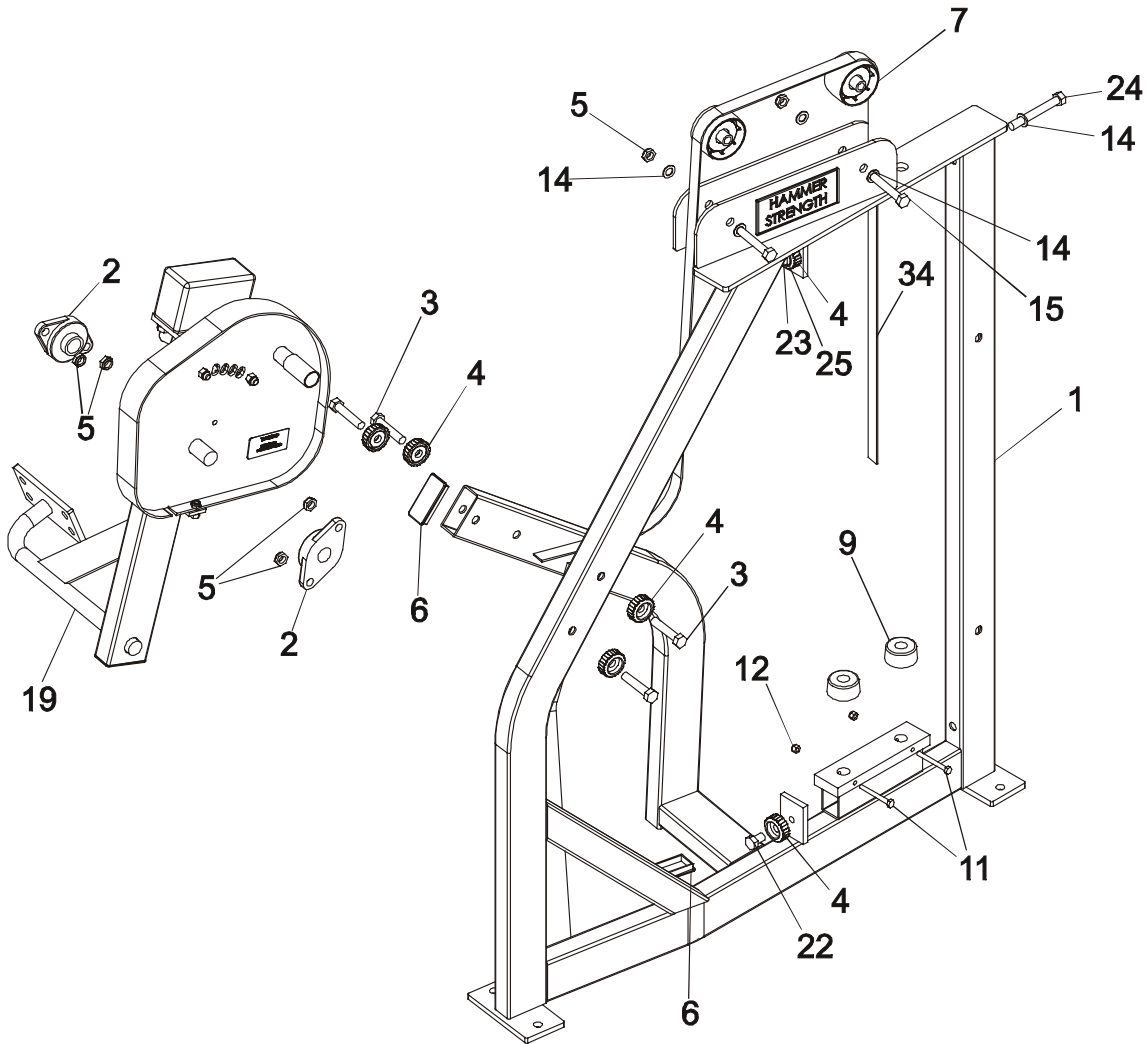
## MTRL – Exploded View



ITEM NO.	QTY.	PART NO.	DESCRIPTION
1	1	MTLE-S0009	Back Frame
2	1	MTRL-A0003	Left Side Frame Assembly
3	1	MTLC-A0007	Right Side Frame Assembly
4	1	MTLE-A0001	Seat Frame Assembly
5	1	MTLE-A0002	Seat Back Assembly
6	8	0017-00042-1041	HAMMER HEAD WASHER
7	8	0017-00104-0379	1/2" Internal Lock Washer
8	8	0017-00101-1582	1/2 X 3 Bolt
9	8	0017-00103-0223	1/2" Thick Lock Nut
10	1	M051-00299-A000	HAMMER PATENT DECAL

# HAMMER STRENGTH EQUIPMENT

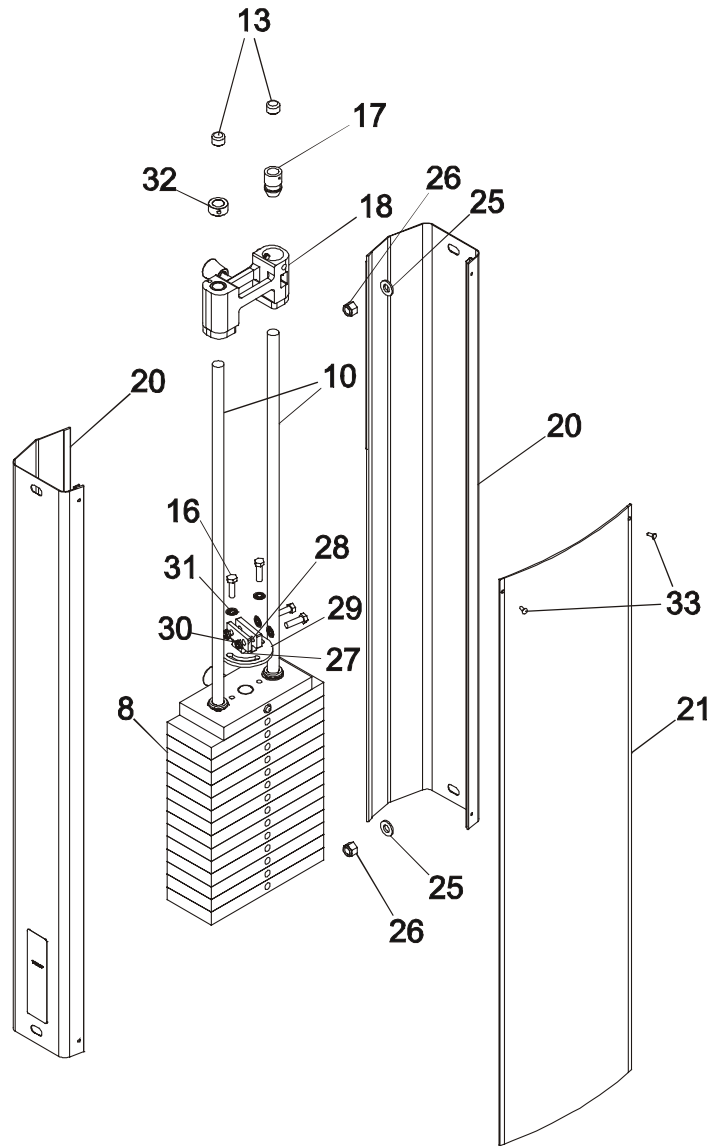
## MTRL – Left Side Frame



ITEM NO.	QTY.	PART NO.	DESCRIPTION
1	1	MTLE-S0003	Left Side Frame
2	2	0017-00009-1034	Small Bearing
3	4	0017-00101-1572	1/2 X 2 1/2 Bolt
4	6	0017-00042-1041	HAMMER HEAD WASHER
5	6	0017-00103-0224	1/2" Thin Lock Nut
6	2	0017-00042-1038	1 1/2 X 3 End Cap
7	2	0017-00009-1039	3" PULLEY ASSEMBLY
9	2	0017-00042-0993	WEIGHT STACK DONUT 1" THICK
11	2	0017-00101-1585	1/4 X 2 1/2 Bolt
12	2	0017-00103-0226	1/4" Thick Lock Nut
14	6	0017-00104-0379	1/2" Internal Lock Washer
15	2	0017-00101-1582	1/2 X 3 Bolt
19	1	MTLE-A0004	Left Movement Arm Assembly
22	1	0017-00101-1586	1/2 X 3/4 Bolt
23	1	0017-00101-1583	1/2 X 1 1/4 Bolt
24	2	0017-00101-1580	1/2 X 4 Bolt
25	3	0017-00104-0311	1/2" SAE Flat Washer
34	1	0017-00033-0855(MTLE)	MTLE STRAP ( 84")

# HAMMER STRENGTH EQUIPMENT

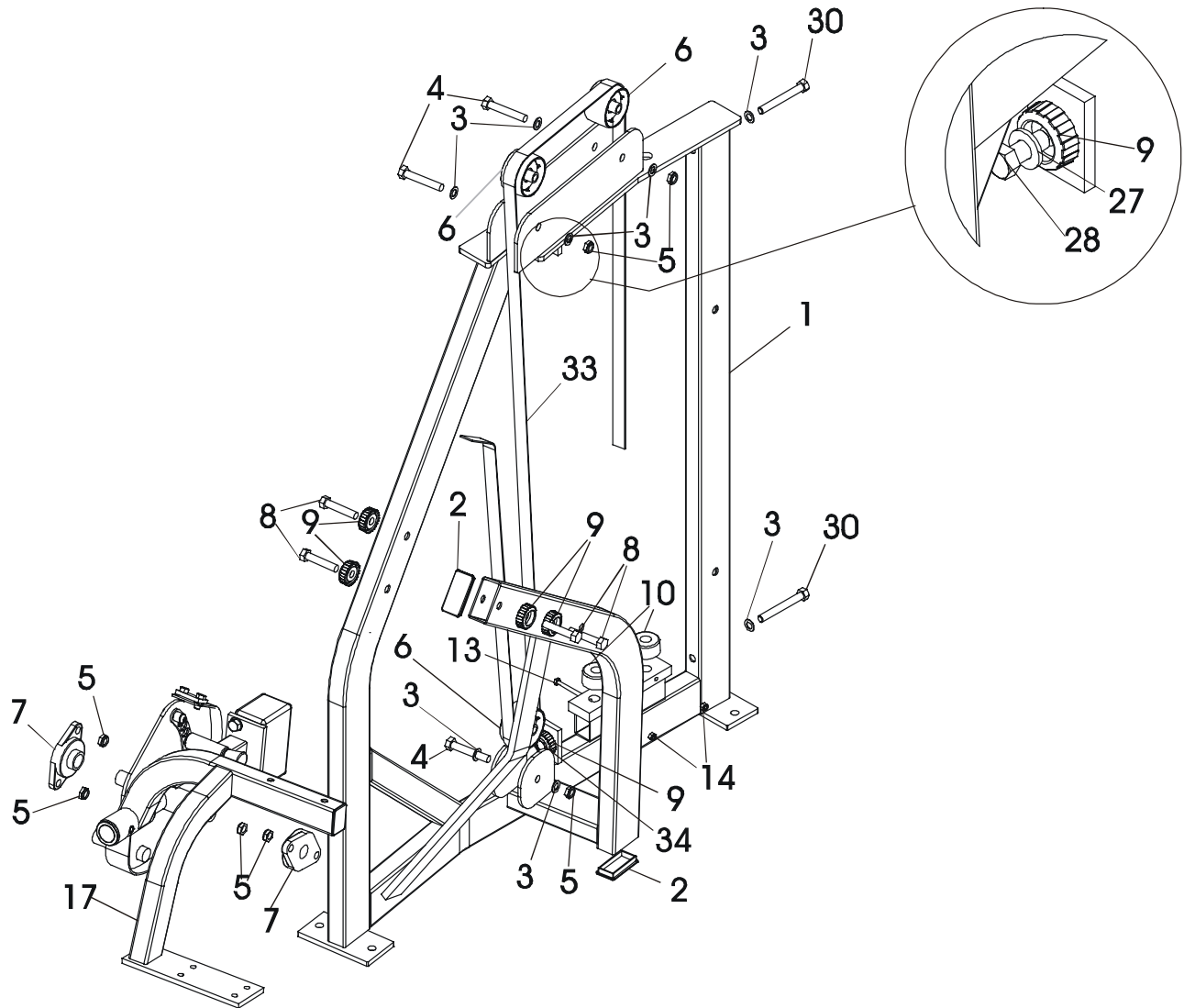
## MTRL – Left Side Shields



ITEM NO.	QTY.	PART NO.	DESCRIPTION
8	1	AK50-WS018	MTS 150 LB WEIGHT STACK
10	2	0017-00009-0933(MTLE)	CHROME ROD (43.25")
13	2	0017-00042-0967	3/4 I.D. BLACK PLASTIC ROD CAP
16	4	0017-00101-1412	3/8 X 1 1/4 Bolt
17	1	0K50-P1110	GUIDE ROD COLLAR
18	1	AK50-S0021	Increment Weight Assembly
20	2	MTLC-P0130	MTS SIDE SHIELD
21	1	0K50-P1160	SHIELD BACK PANEL
25	3	0017-00104-0311	1/2" SAE Flat Washer
26	2	0017-00103-0223	1/2" Thick Lock Nut
27	1	0K50-P1132	BELT WRAP PEG
28	1	0K50-P1121	Strap Clamp 2
29	1	AK50-S0023	BELT ATTACHMENT PLATE
30	2	0017-00103-0217	NUT 3/8 - NYLOC; THIN NY NO
31	4	0017-00104-0377	WSH .375 INT LOCK ST ZN
32	1	0017-00009-1019	3/4" Lock Collar
33	2	0017-00101-1587	SHIELD RIVET

# HAMMER STRENGTH EQUIPMENT

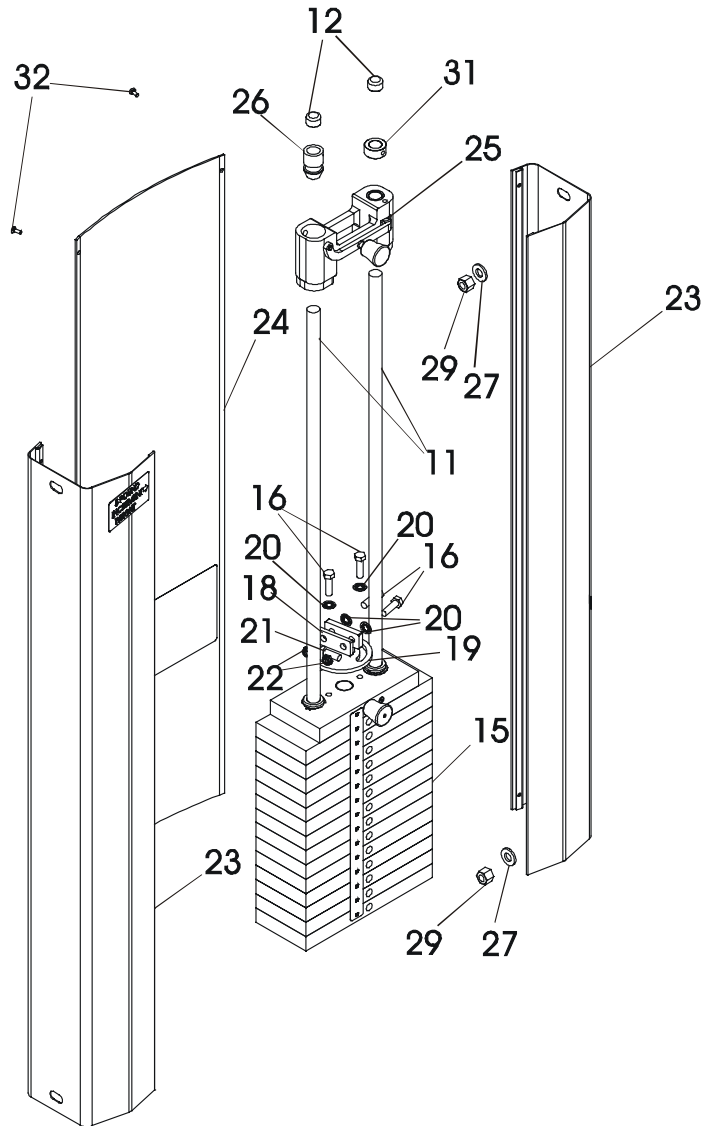
## MTRL – Right Side Frame



ITEM NO.	QTY.	PART NO.	DESCRIPTION
1	1	M1LC-S0007	Side-Frame - Right
2	2	0017-00042-1038	1 1/2 X 3 End Cap
3	8	0017-00104-0379	1/2" Internal Lock Washer
4	3	0017-00101-1582	1/2 X 3 Bolt
5	7	0017-00103-0224	1/2" Thin Lock Nut
6	3	0017-00009-1039	3" PULLEY ASSEMBLY
7	2	0017-00009-1034	Small Bearing
8	4	0017-00101-1572	1/2 X 2 1/2 Bolt
9	6	0017-00042-1041	HAMMER HEAD WASHER
10	2	0017-00042-0993	WEIGHT STACK DONUT 1" THICK
13	2	0017-00101-1585	1/4 X 2 1/2 Bolt
14	2	0017-00103-0226	1/4" Thick Lock Nut
17	1	M1LC-A0008	Movement Arm / Cam Assy
30	2	0017-00101-1580	1/2 X 4 BOLT
33	1	0017-00033-0855	M1LC STRAP ( 132")
34	1	0017-00101-1586	1/2-13 X .750 UNC HEX BLT G5 BLK ZN

# HAMMER STRENGTH EQUIPMENT

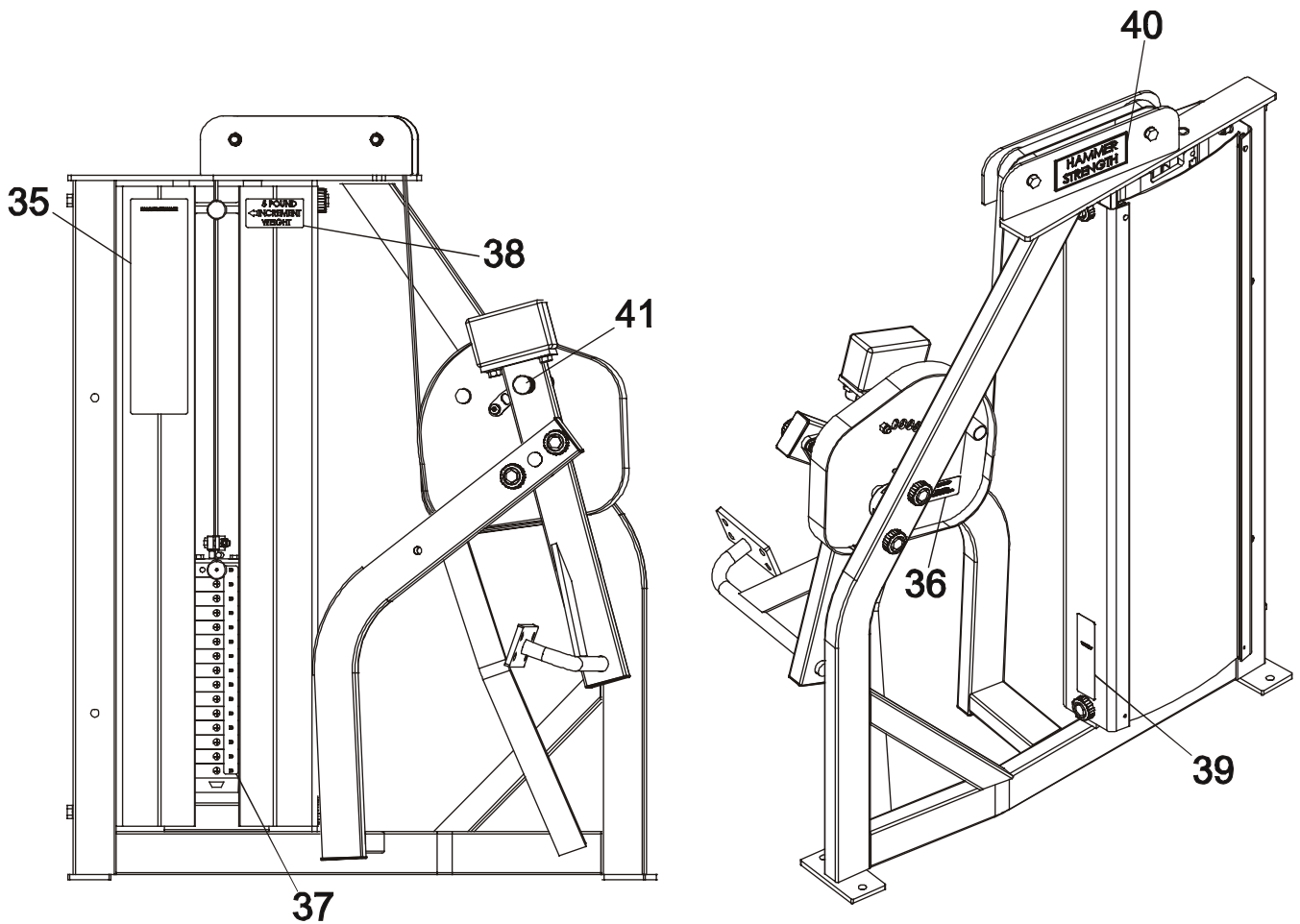
## MTRL – Right Side Shields



ITEM NO.	QTY.	PART NO.	DESCRIPTION
11	2	0017-00009-0933(MTLE)	CHROME ROD (43.25")
12	2	0017-00042-0967	3/4 I.D. BLACK PLASTIC ROD CAP
15	1	AK50-WS018	MTS 150 LB WEIGHT STACK
16	4	0017-00101-1412	3/8 X 1 1/4 Bolt
18	1	OK50-P1121	Strap Clamp 2
19	1	AK50-S0025	BELT ATTACHMENT PLATE
20	4	0017-00104-0377	WSH .375 INT LOCK ST ZN
21	1	OK50-P1132	BELT WRAP PEG
22	2	0017-00103-0217	NUT 3/8 - NYLOC; THIN NY NO
23	2	MTLC-PO130	MTS SIDE SHIELD
24	1	MTLC-PO131	SHIELD BACK PANEL
25	1	AK50-S0021	Increment Weight Assembly
26	1	OK50-P1110	GUIDE ROD COLLAR
27	3	0017-00104-0311	1/2" SAE Flat Washer
28	1	0017-00101-1583	1/2-13 X 1.25 UNC HEX BLT G5 ZN
29	2	0017-00103-0223	1/2" THICK LOCK NUT
30	2	0017-00101-1580	1/2 X 4 BOLT
31	1	0017-00009-1019	3/4" Lock Collar
32	2	0017-00101-1587	SHIELD RIVET

# HAMMER STRENGTH EQUIPMENT

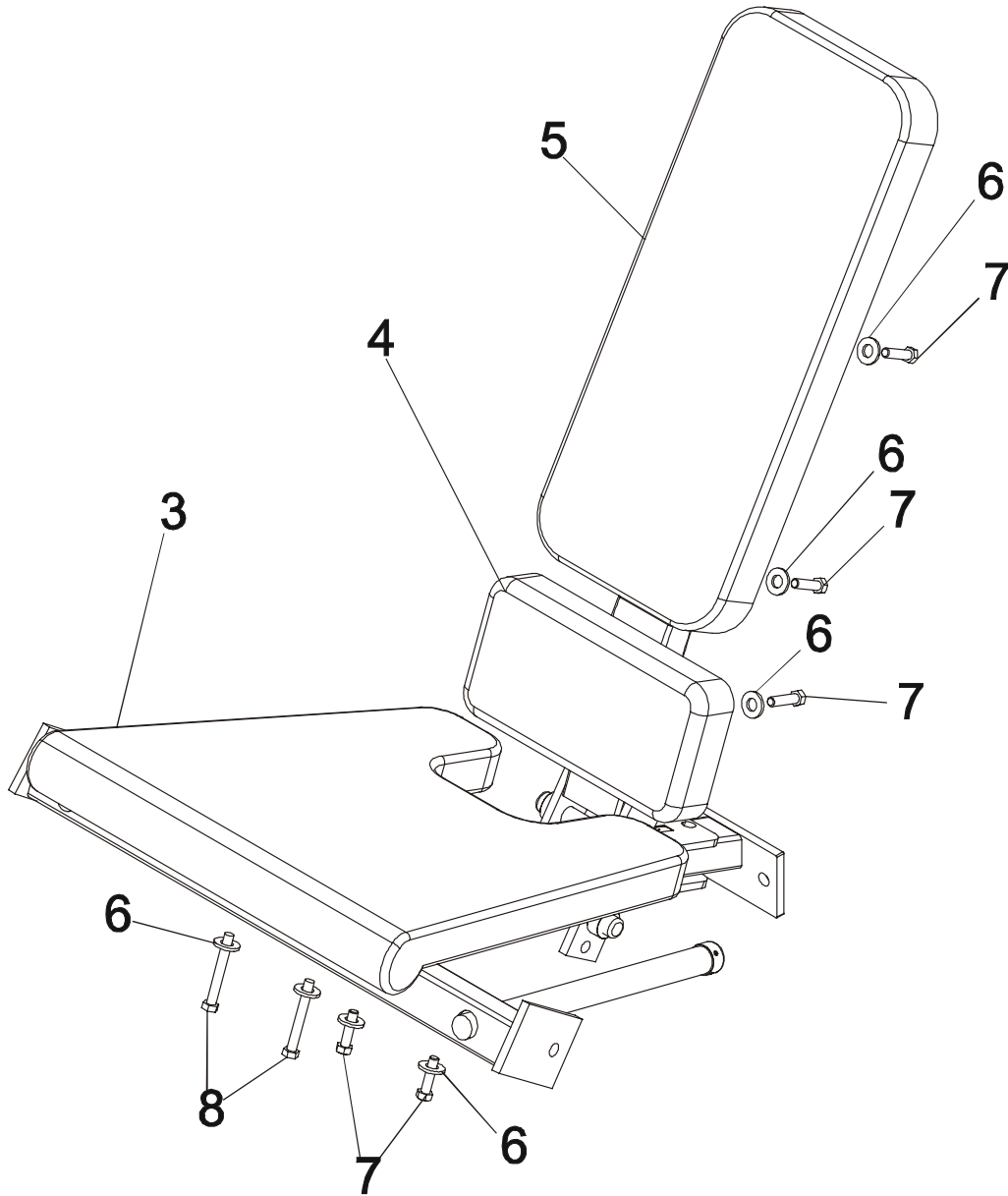
## MTRL – Decals



ITEM NO.	QTY.	PART NO.	DESCRIPTION
35	1	M051-00480-A000	MTRR/RL INSTR. DECAL
36	1	M051-00293-A000	WARNING DECAL
37	1	M051-00294-A000	WEIGHT STACK NUMBER STRIP
38	1	M051-00298-A000	INCREMENT WT. DECAL (LEFT)
39	1	M051-00335-A000	WARNING DECAL
40	1	M051-00289-A000	HAMMER STRENGTH NAME PLATE
41	1	M051-00465-A000	PIVOT POINT LABEL

# HAMMER STRENGTH EQUIPMENT

## MTRL – Seat Assembly

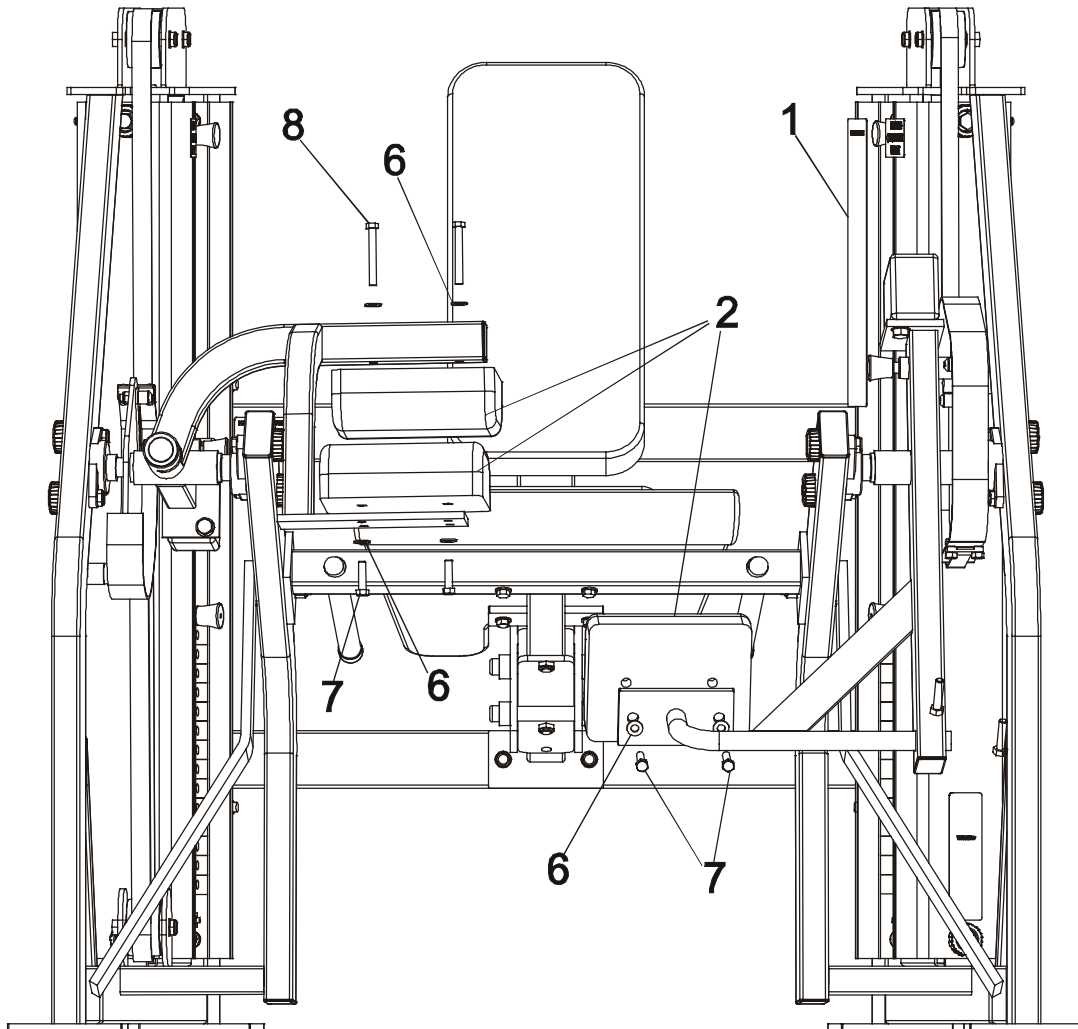


ITEM NO.	QTY.	PART NO.	DESCRIPTION
3	1	0K50-US067-0000	Seat Pad
4	1	0K50-US068-0000	12" Rectangular Pad
5	1	0K50-US069-0000	Standard 24" Pad
6	16	0017-00104-0377	3/8" Internal Lock Washer
7	12	0017-00101-1411	3/8 -16X24 UNS HEX BLT G5 ZN
8	4	0017-00101-1422	3/8 X 3 Bolt



# HAMMER STRENGTH EQUIPMENT

## MTRL – Leg Pads



ITEM NO.	QTY.	PART NO.	DESCRIPTION
1	1	MTRL-A0000	MTLE Top Assembly
2	3	OK50-US070-0000	Standard 8" Pad
6	16	0017-00104-0377	3/8" Internal Lock Washer
7	12	0017-00101-1411	3/8 -16X24 UNS HEX BLT G5 ZN
8	4	0017-00101-1422	3/8 X 3 Bolt